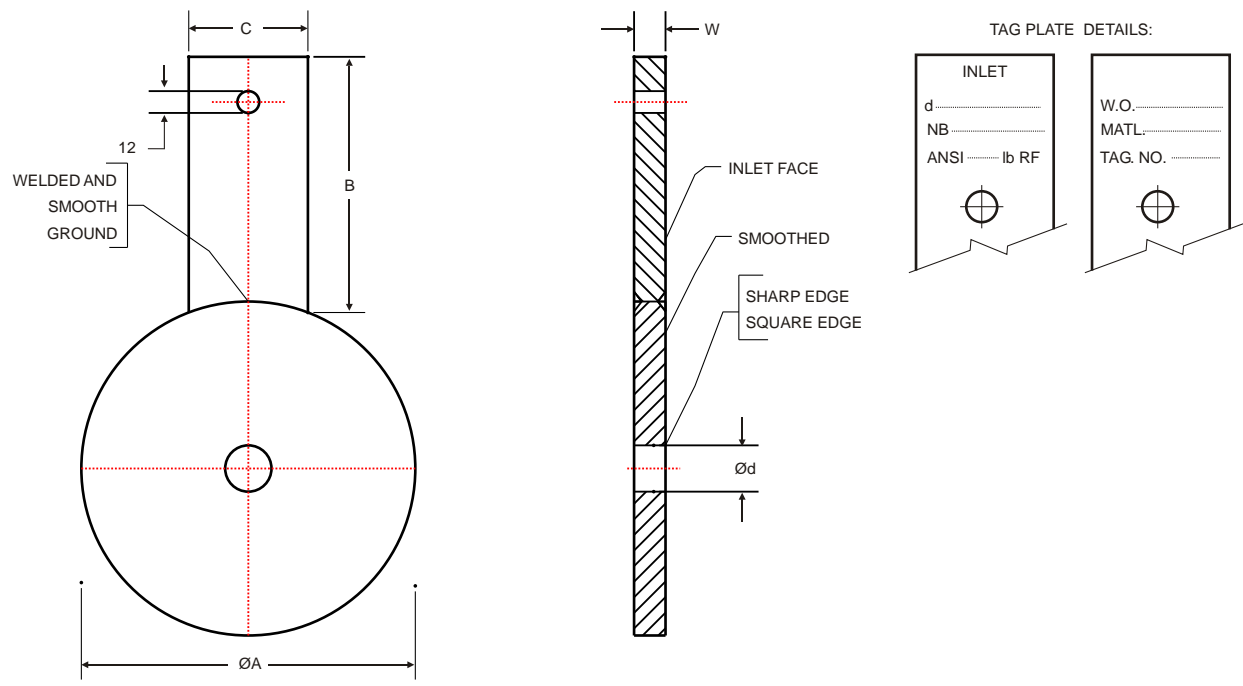


RO 100 # Series Restriction Orifice Plates



These Plates are similar to Square Edge Concentric Orifice Plates in construction, except, there is no bevel provided at the outlet face of the Plate. The Orifice Bore Diameter designed as per ISO 5167 / RW Miller.

These Plates are used to restrict the Flow there by dropping the Static Pressure substantially. There are no Pressure Tappings used in the pipe line, since the purpose is to only drop the pressure and no Flow Measurement is Involved.

The Dimensions A, B, C are as per Table-1

These Plates can also be supplied with RTJ holders suitable for RTJ Flanges.

Code	Element Material
304	AISI 304
304L	AISI 304L
316	AISI 316
316L	AISI 316L
347	AISI 347
321	AISI 321
Mo	Monel 400
Inc6	Inconel-600
Hc	Hastelloy' C
Hb	Hastelloy' B
Other	Please Specify

Code	Companion Flange Size & Rating
XX	Define eg; 50 NB 300# Refer Table-1

Code	Element Thickness
W1	3.175 mm
W2	6.35 mm
W3	9.52 mm
W4	12.7 mm
W5	Other

ORDERING EXAMPLE
RO100# Series 316-W1-50 NB 300#

RO100# Series