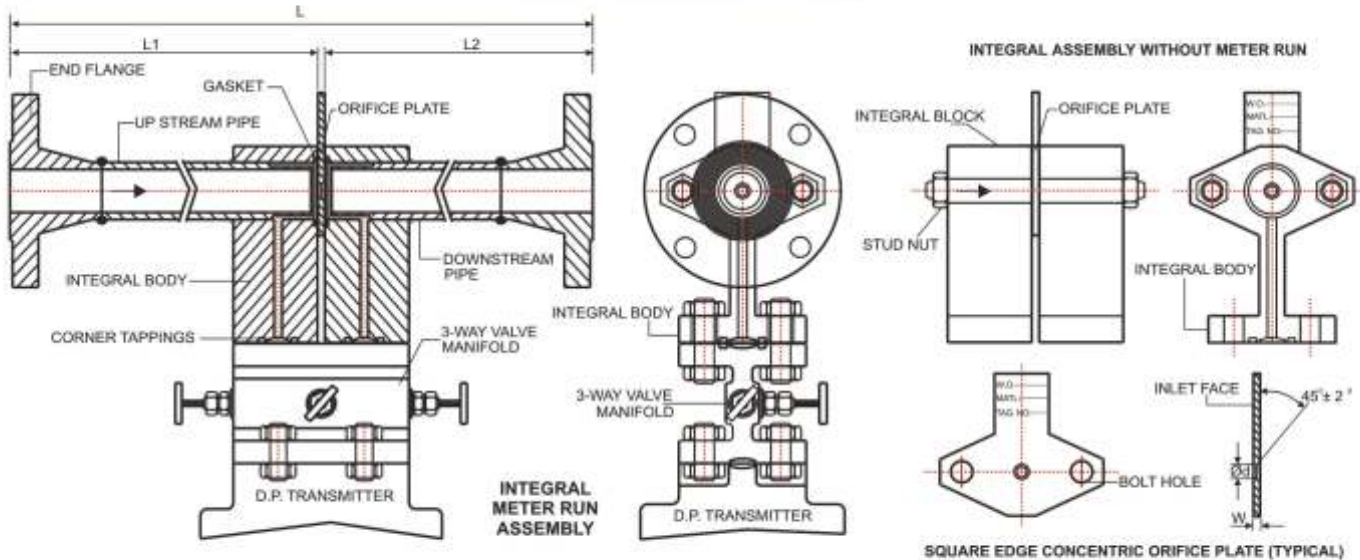


FE 410 IMR # Series Integral Orifice Meter Run Assembly



FE 410 IMR # Series is supplied with the meter tube and is designed for direct installation with DP Transmitter i.e., the Meter tube is an integral part of the secondary flow measuring device. The external tubing is eliminated here. These type of Meter Tubes are always provided with corner tappings and are largely recommended for gas flow measurement with smaller line sizes viz; 15 NB to 50 NB where DP is very low. The corner tappings are provided in the form of annular grooves so that, the purging of the fluid into the tap is very effective and reading of DP becomes easy.

| Code | Element Type |
|------|------------------------|
| SEC | Square Edge Concentric |
| CE | Conical Entrance |
| QE | Quadrant Edge |

| Code | Element Material |
|-------|------------------|
| 304/L | SS304/SS304L |
| 316/L | SS316/SS316L |
| Mo | Monel |
| Hb/Hc | Hastelloy B/C |
| Other | Please specify |

| Code | NB / Rating / Sch. |
|------|--------------------|
| XX | Please define |
| XX | eg: 1" 300# Sch.80 |

| Code | Integral Body Material |
|--------|------------------------|
| A105 | ASTM A105 |
| F304/L | A182 Gr.F304/F304L |
| F316/L | A182 Gr.F316/F316L |
| Mo | Monel |
| Other | Please specify |

| Code | End Connection |
|------|----------------|
| BW | Butt Weld |
| F | Flanged |
| T | Threaded |
| ST | Stub End |

| Code | Meter Tube Material |
|---------|---------------------|
| A106 | A106 Gr.B |
| TP304/L | A312 TP304/TP 304 L |
| TP316/L | A312 TP316/TP 316L |
| Other | Please Specify |
| XX | Not Applicable |

| Code | Option |
|-------|---------------|
| 0 | None |
| 1 | IBR Form IIIC |
| Other | See Table 7 |

| Code | Gasket Material |
|-------|--------------------------------|
| G1 | CAF |
| GP | PTFE / Teflon |
| G3 | SS304+CAF |
| Other | Please specify (Refer Table 5) |

| Code | Gasket Type |
|------|--------------|
| FR | Flat Ring |
| SP | Spiral Wound |

| Code | Studs/Nuts Material |
|-------|--------------------------------|
| B7/2H | A193 Gr.B7/A194 Gr.2H |
| B6 | A193 Gr.B8/A194 Gr.8 |
| B8M | A193 Gr.B8M/A194 Gr.8M |
| Other | Please specify (Refer Table 4) |

| Code | End Flange Material |
|-------|---------------------|
| A105 | ASTM A105 |
| F304 | A182 Gr.F304 |
| F316 | A182 Gr.F316 |
| F316L | A182 Gr.F316L |
| Other | Please specify |

| Code | End Flange Facing |
|------|-------------------|
| RF | Raised Face |
| RTJ | Ring Type Join |

| Code | End Flange Type |
|------|-----------------|
| WN | Weld Neck |
| SO | Slip On |
| SW | Socket Weld |
| T | Threaded |

ORDERING INFORMATION

FE410 IMR # Series SEC-316-W1-40NB 300# Sch.80-A105-Flg-TP316-WN-RF-F316-GB7/2H-FR-PT-O1

GOA THERMOSTATIC INSTRUMENTS PVT. LTD.

Office: Flat B, Ground Floor, Hill Crown Apt., College Road, Mapusa - 403 507, Tel: 0832-2252719, Fax:0832-2263294 E-mail: pyroadmin@pyro-electric.in

Visit us at www.pyro-electric.in

FE 410 IMR # Series