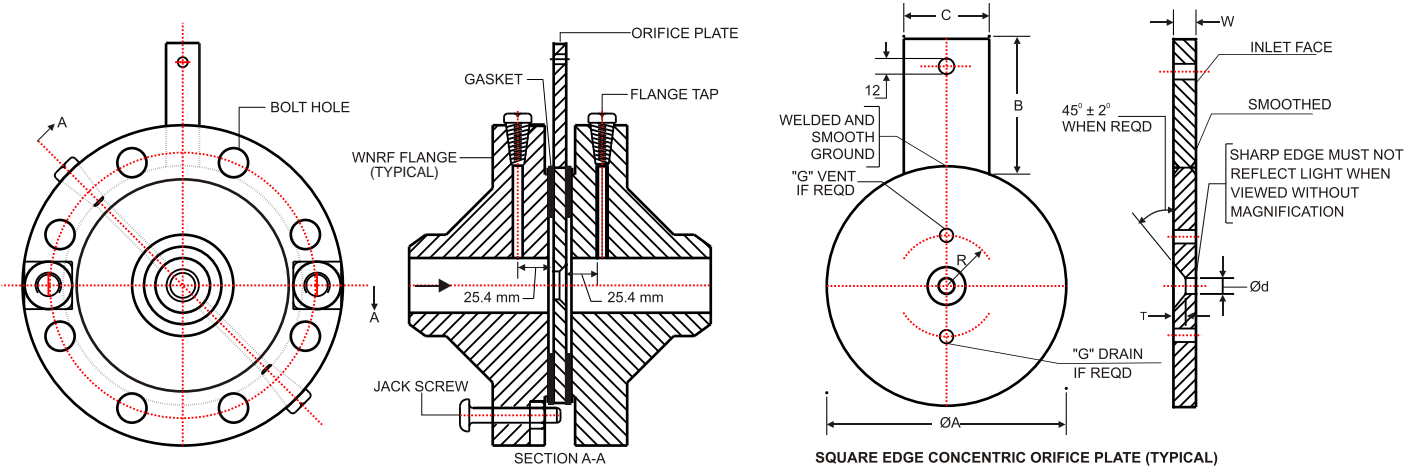


FE 400 WN # Series Orifice Assembly with Flange Taps



These are the most commonly used Flange Unions. The Flange Taps are at 1" upstream & Downstream of the Orifice Plate. The Flange Bore is machined to the required finish as per ISO 5167 and is equal to the Pipe internal diameter. The Orifice Plate is self-centered into the Flange union to incorporate the concentricity of the Orifice Plate with the Flange / Pipe Bore. The Flanges can be supplied with the IBR / NACE Certification on demand. The Flange dimensions shall be as per the Standards ANSI B16.36, JIS, BS, DIN, API etc.,

Code	Element Type / Orifice Type
SEC	Square Edge Concentric
QE	Quadrant Edge
CE	Conical Entrance
EC	Eccentric
SG	Segmental

Code	Element Material
304/L	AISI 304 / 304 L
316/L	AISI 316 / 316 L
321	AISI 321
347	AISI 347
Mo	Monel 400
INC6	Inconel-600
Hb/Hc	Hastelloy' B/C
Other	Please specify

Code	Element Thickness
W1	3.175 mm
W2	6.350 mm
W3	9.52 mm
W4	12.7 mm
W5	Other

Code	Flange Size & Rating
XX	Define eg; 25 NB 300# Refer Table-1

Code	Flange Type
WN	Weld Neck
SO	Slip On
SW	Socket Weld
Th	Threaded

Code	Flange Facing
RF	Raised Face
FF	Flat Face
Other	Refer Table-8

Code	Flange Bore / Pipe Sch.
	Define eg; Sch.80 (Refer Table-3)

Code	Option
0	None
1	IBR Form III C
Other	See Table 7

Code	Pressure Tapping Connection
3N	½" NPT(F)
4N	¾" NPT(F)
1B	½" BSP(F)
2B	¾" BSP(F)
1T	Other (see Table-6)

Code	Gasket Material
G1	CAF
G2	(SS304+CAF)
G3	(SS316+CAF)
Other	Select from Table 5

Code	Gasket Type
FR	Flat Ring
SP	Spiral Wound
Other	Please Define

Code	Studs / Nuts & Jack Screw Mat'l
B7/2H	A193 Gr.B7 / A194 Gr.2H Other (see Table-4)

Code	Flange Material
A105	ASTMA105
F304	A182 Gr.F304
F316	A182 Gr.F316
F304L	A182 Gr.F304L
F316L	A182 Gr.F316L
F321	A182 Gr.F321
F5	A182 Gr.F5
F11	A182 Gr.F11
F12	A182 Gr.F12
LF2	A350 Gr.LF2
LF3	A350 Gr.LF3
Other	Please specify

ORDERING INFORMATION

FE 400 WN# Series SEC-316-W1-25NB 300# WN-RF-Sch.80-F316-B7/2H-FR-G1-3N-O0

GOA THERMOSTATIC INSTRUMENTS PVT. LTD.

Office: Flat B, Ground Floor, Hill Crown Apt., College Road, Mapusa - 403 507, Tel: 0832-2252719, Fax:0832-2263294 E-mail: pyroadmin@pyro-electric.in

Visit us at www.pyro-electric.in